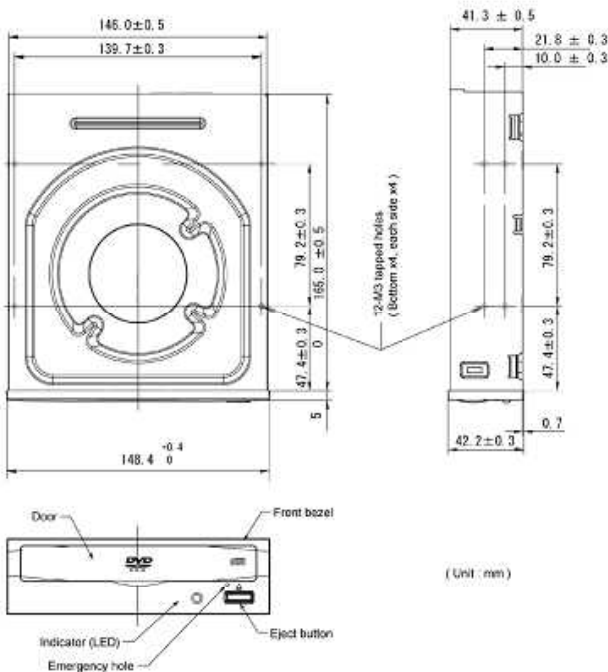
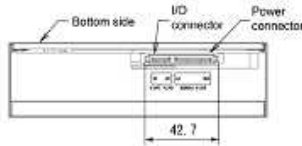


TEAC®

18x DVD-ROM **16x DVD±R**
8x DVD±R DL **48x CD-R**
12x DVD±RW **40x CD-RW**

DV-518GSC Half Height DVD ROM Drive

- Half height (41.3mm) industry-standard design
- Horizontal and vertical mounting for most system configuration
- Black and Beige front panel model available



Read Speed (Max Speed)	DVD-ROM SL	18 x (CAV)
	DVD±R	16 x (CAV)
	DVD±R (DL) (Finalized Disc)	8x (CAV)
	DVD±RW	12x (CAV)
	CD-ROM / R	48x (CAV)
	CD-RW	40x (CAV)
	CD-DA (DAE)	48x (CAV)
Disc Diameter	12cm, 8cm	
Interface	SerialATA	
Data Transfer Rate	Gen1 1.5GB/sec	
Access Time	120ms (typ) DVD-ROM	
	120ms (typ) CD-ROM	
	198KB	
Loading Mechanism	Tray Type	
Environmental Conditions		
Ambient Temperature	Operating	5 to 45°C
	Non Operating	-20 to 60°C
	Transportation	-40 to 65°C
Ambient Humidity	Operating	20 to 80% (non-condensing) *
	Non Operating	10 to 85% (non-condensing) *
	Transportation	5 to 90% (non-condensing) *
Power Consumption	DC5V ± 5%, DC12V±10%	
Current Consumption	Sleep 0.09A (5V) / 0.03A (12V) (Average current max)	
	During starting 0.76A (5V) / 2.3A (12V) (Max. Spikes less 10ms)	
	During Seek 1.5A (5V) / 1.3A (12V) (Max. Spikes less 10ms)	
MTBF	70,000POH (25% duty)	
Safety / EMI Standards	UL, CUL, TÜV, CB, CE, RCM, KC and BSMI	
Dimensions	148.4W x 42.2H x 170.0D (mm)	
Mass (Weight)	570g typ	
RoHS	2011 / 65 / EU complied	

Remarks

Please check the specification sheets for detailed conditions and other information.

* The maximum wet-bulb temp. is 29 degree C



is a trademark of DVD Format/Logo Licensing Corporation registered in the U.S., Japan and other countries.

Other company names, product names and logos in this document are the trademarks or registered trademarks of their respective owners. Features and specifications are subject to change without notice. Precaution: To ensure safe handling and operation, read the Instruction Manual before use.

株式会社アルメディア オ ストレージソリューション事業部

〒191-0065 東京都日野市旭が丘3-1-4 電話 042-511-0481 FAX 042-511-0482

<http://www.almedio.co.jp>

ALMEDIO INC. Storage Solution Division

3-1-4, Asahigaoka, Hino-shi, Tokyo, 191-0065, Japan Phone +81-42-511-0481 Fax +81-42-511-0482

<http://www.almedio.co.jp>

このカタログの記載内容は2017年2月現在のものです。
The contents presented in this catalog were updated as February 2017.

PRINTED IN JAPAN.