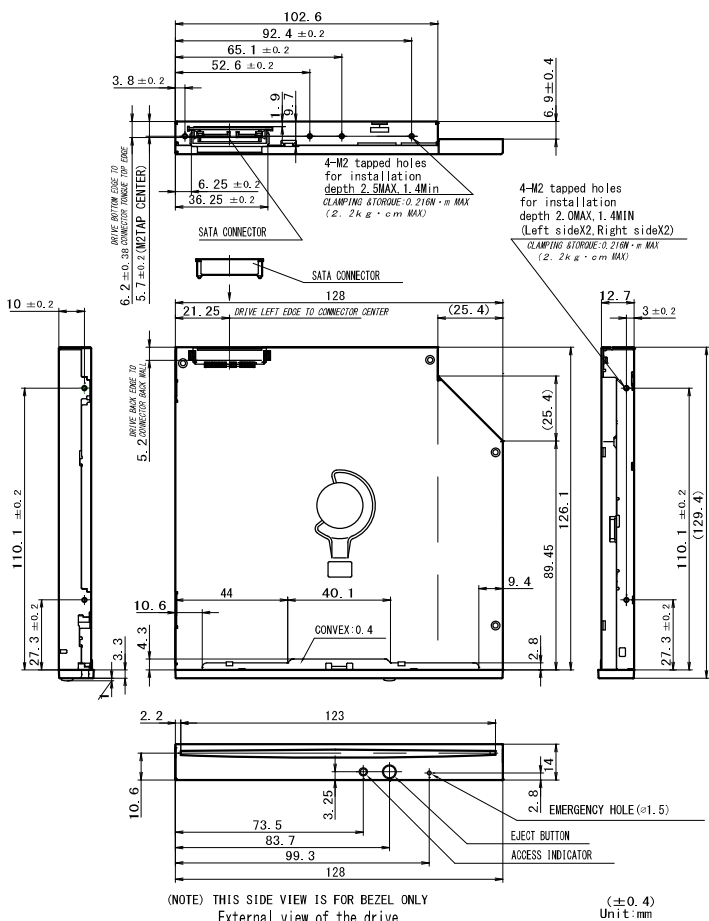


TEAC®

DVD
ROM

COMPACT
disc
ReWritable High Speed



NEW

Product Information

Slim Slot-Loading drive Unit

DV-SN250

CD-WSN250

CD-SN250

Slot Loading



- Slim type (12.7mm) Slot Loading design
- Horizontal and vertical mounting for most system configuration
- Emergency Eject Function
- Brushless Motor adopted
- Buffer underrun Prevention (CD-RW Model CD-WSN250)

		DV-SN250	CD-WSN250	CD-SN250
Write Speed (Max Speed)	CD-R	-	8x CLV	-
	CD-RW HS	-	8x CLV	-
	MS	-	4x CLV	-
Read Speed (Max Speed)	DVD-ROM	4x CAV	-	-
	DVD±R	4x CAV	-	-
	DVD±R DL (Finalized Disc)	4x CAV	-	-
	DVD±RW	4x CAV	-	-
	DVD±RW	4x CAV	-	-
	CD-ROM	10x CAV	10x CAV	10x CAV
CD-R/RW	10x CAV	10x CAV	10x CAV	
CD-DA (DAE)	10x CAV	10x CAV	10x CAV	

Disc Diameter	12cm		
Interface	SerialATA Revision3.1		
Data Transfer Rate	Gen1 1.5GB/sec		
Access Time	DVD-ROM	300ms (typ)	-
	CD-ROM	-	300ms (typ)

Data Buffer	512KB		
Loading Mechanism	Slot Loading		
Environmental Condition			
Ambient Temperature	Operating	5 to 45°C	
	Non Operating	-20 to 60°C	
	Transportation	-40 to 65°C	
Ambient Humidity	Operating	8 to 80% (non-condensing)*1	
	Non Operating	5 to 95% (non-condensing)*1	
	Transportation	5 to 95% (non-condensing)*1	

Power Requirements	DC5V±5%		
Current Consumption	Standby/Sleep	49mA/49mA (Average current max)	
	During starting/Seek	1300mA (Max. Spikes less 1ms)	

MTBF	60,000POH (10% duty)		
Safety/EMI Standards	UL, CUL, CB, CE, KC and RCM		
Dimensions	128.0(W) x 12.7(H) x 129.4 (D) mm		
Mass (Weight)	160g or less (Bezel Less)		
RoHS	Complied		

Remarks
Please check the specification sheets for detailed conditions and other information.
*1 The maximum wet-bulb temp. is 29.4 degree C

DVD is a trademark of DVD Format/Logo Licensing Corporation registered in the U.S., Japan and other countries.

COMPACT disc ReWritable is a trademark of Koninklijke Philips Electronics N.V.

株式会社アルメディア ストレージソリューション事業部
〒191-0065 東京都日野市旭が丘3-1-4 電話 042-511-0481 FAX 042-511-0482
<http://www.almedio.co.jp>

ALMEDIO INC. Storage Solution Division
3-1-4, Asahigaoka, Hino-shi, Tokyo, 191-0065, Japan Phone +81-42-511-0481 Fax +81-42-511-0482
<http://www.almedio.co.jp>

このカタログの記載内容は2017年2月現在のものです。
The contents presented in this catalog were updated as February 2017.

PRINTED IN JAPAN.