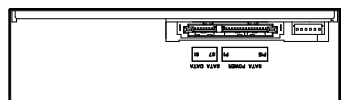
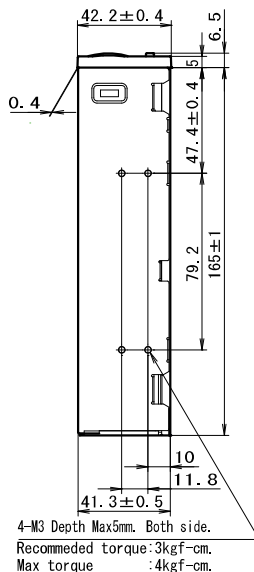
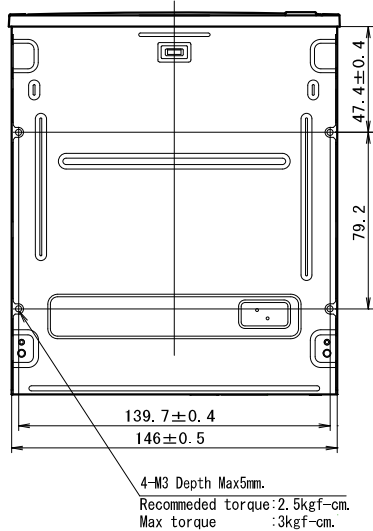
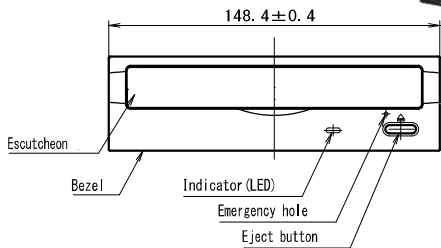


TEAC®



Tolerance: ±0.3mm
(Units: mm)

NEW

Product Information

DV-W5600S Half Height CD / DVD Recorder

Writable	DVD±R
	DVD±R DL
	CD-R
Rewritable	DVD±RW
	CD-RW

- Allowed Firmware Customization
- Supporting disc-at-once, session-at-once, packet write, incremental, over write, track-at-once recording mode, sequential write, multi-session, and back ground format, Random Recording
- Horizontal and vertical mounting for most system configuration

Write Speed (Max Speed)	DVD±R	16x (CAV) [24x (CAV)*1]
	DVD±R DL	8x (ZCLV)
	DVD±RW	4x (CLV)
	CD-R	40x (PCAV) [48x (CAV)*1]
	CD-RW	US 24x (ZCLV) HS 10x (CLV) MS 4x (CLV)
Read Speed (Max Speed)	DVD-ROM (SL) / ±R (SL)	16x (CAV)
	DVD-ROM (DL) / ±R (DL)	12x (CAV)
	DVD±RW	13x (CAV)
	CD-ROM / R	40x (PCAV)
	CD-DA (DAE)	40x (PCAV)
	CD-RW	40x (PCAV)
	CD-ROM (Mode2 / Mode2 Form2)	20x (CAV)
Disc Diameter	12cm, 8cm	
Interface	SerialATA Revision3.1	
Access Time	160ms (typ) DVD-ROM	
	140ms (typ) CD-ROM	
Data Buffer	1MB	
Loading Mechanism	Tray Loading Type	
Environmental Conditions		
Ambient Temperature	Operating	5 to 45°C
	Non Operating	-20 to 60°C
Ambient Humidity	Operating	5 to 80% (non-condensing) *2
	Non Operating	5 to 90% (non-condensing) *2
Power Requirements	DC5V±5%, 12V±5%	
Current Consumption	Standby 200mA (5V) / 10mA (12V) (Average current max)	
	Start Up 1800mA (5V) / 2000mA (12V) (Max. Spikes less 1ms)	
MTBF	60,000POH (10% duty)	
Safety / EMI Standards	UL, CUL, TÜV, CB, CE, BSMI, C-Tick and MIC	
Dimensions	146W x 41.3H x 170D (mm)	
Mass (Weight)	650g typ (Bezelless)	
RoHS	Complied	

Remarks
Please check the specification sheets for detailed conditions and other information.
*1 Achieving more than 16x (DVD) / 40x (CD) writing speed is dependent upon media and the computer environment.
*2 The maximum wet-bulb temp. is 29 degree C

is a trademark of DVD Format/Logo Licensing Corporation registered in the U.S., Japan and other countries.



株式会社アルメディア オ ストレージソリューション事業部

〒191-0065 東京都日野市旭が丘3-1-4 電話 042-511-0481 FAX 042-511-0482

<http://www.almedio.co.jp>

ALMEDIO INC. Storage Solution Division

3-1-4, Asahigaoka, Hino-shi, Tokyo, 191-0065, Japan Phone +81-42-511-0481 Fax +81-42-511-0482

<http://www.almedio.co.jp>