

TEAC®

24x DVD±R **8x DVD+RW**
8x DVD±R DL **6x DVD-RW**
48x CD-R

DV-W524GSE Half Height CD / DVD Recorder

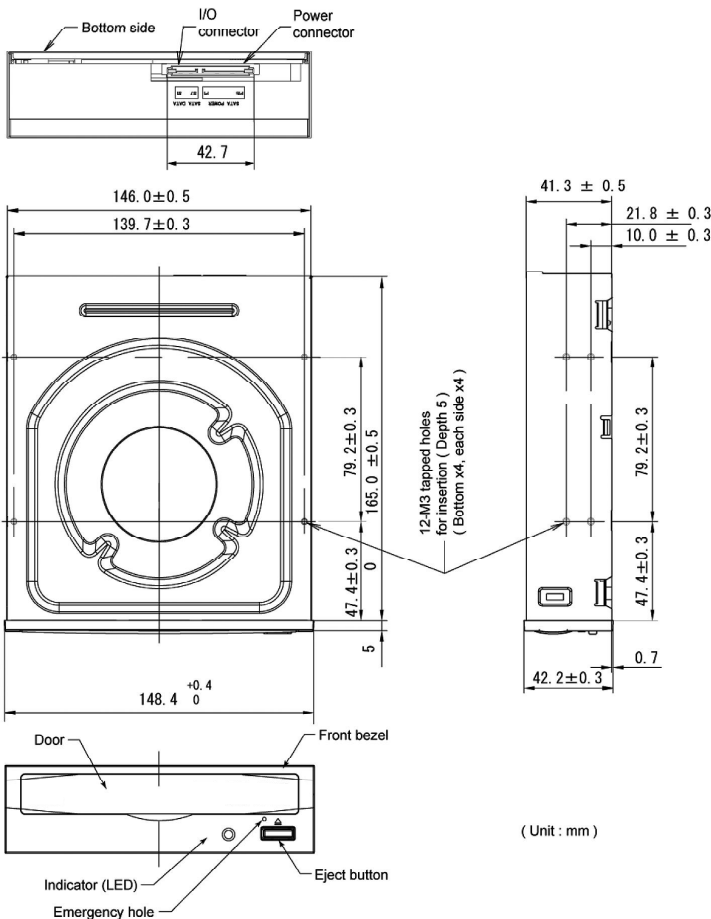
- Half height (41.3mm) industry-standard design
- Write mode : disc-at-once, session-at-once, packet write, incremental, over write, track-at-once, sequential write, multi-session, back ground format
- Horizontal and vertical mounting for most system configuration
- Buffer underrun prevention
- Black and Beige front panel model available



BEIGE



BLACK



Write Speed (Max Speed)	DVD±R	24x (CAV)
	DVD±R DL	8x (ZCLV)
	DVD±RW	8x (ZCLV)
	DVD-RW	6x (ZCLV)
	CD-R	48x (CAV)
CD-RW	US/US+	24x (ZCLV)
	HS	10x (CLV)
	MS	4x (CLV)
Read Speed (Max Speed)	DVD-ROM (SL)	16x (CAV)
	DVD±R	16x (CAV)
	DVD±R (DL)	12x (CAV)
	DVD±RW	12x (CAV)
	CD-ROM / R	48x (CAV)
	CD-RW	40x (CAV)
	CD-DA (DAE)	48x (CAV)
Disc Diameter	12cm, 8cm	
Interface	Serial ATA	
Data Transfer Rate	Gen1i 1.5GB / sec	
Access Time	DVD-ROM	160ms (typ)
	CD-ROM	160ms (typ)
Data Buffer	0.5MB	
Loading Mechanism	Tray Loading Type	
Environmental Conditions		
Ambient Temperature	Operating	5 to 45°C
	Non Operating	-20 to 60°C
	Transportation	-40 to 65°C
Ambient Humidity	Operating	20 to 80% (non-condensing *)
	Non Operating	10 to 85% (non-condensing *)
	Transportation	5 to 90% (non-condensing *)
Power Requirements	DC+5V (± 5%), DC+12V (± 10%)	
Current Consumption	During starting : 0.8A (5V), 2.5A (12V) (Max, Spikes less 10ms)	
	During read : 0.85A (5V), 0.75A (12V) (Average)	
	During write : 0.95A (5V), 2.1A (12V) (Average)	
MTBF	70,000POH (25% duty)	
Safety / EMI Standards	UL, cUL, TÜV, CB, CE, RCM, KC, BSMI	
Dimensions	148.4W x 42.2H x 170D (mm)	
Mass (Weight)	607g (typ)	
RoHS	2011/65/EU complied	

Remarks

Please check the specification sheets for detailed conditions and other information.
 * The maximum wet-bulb temp. is 29 degree C



is a trademark of DVD Format/Logo Licensing Corporation registered in the U.S., Japan and other countries.

Other company names, product names and logos in this document are the trademarks or registered trademarks of their respective owners. Features and specifications are subject to change without notice. Precaution : To ensure safe handling and operation, read the Instruction Manual before use.

株式会社アルメディア オ 営業本部 営業部

〒186-0002 東京都国立市東1-4-12 KS国立ビル7階 電話 042-511-0480 FAX 042-511-0491

<http://www.almedio.co.jp>

ALMEDIO INC. Sales Headquarters Storage Solution Section

Kunitachi Office KS kunitachi Building, 7F, 4-12, 1chome, Higashi, Kunitachi-shi, Tokyo, 186-0002, Japan

Phone +81-42-511-0480 Fax +81-42-511-0491

<http://www.almedio.co.jp>

このカタログの記載内容は2017年2月現在のものです。
 The contents presented in this catalog were updated as February 2017.

PRINTED IN JAPAN