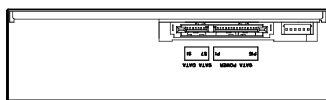
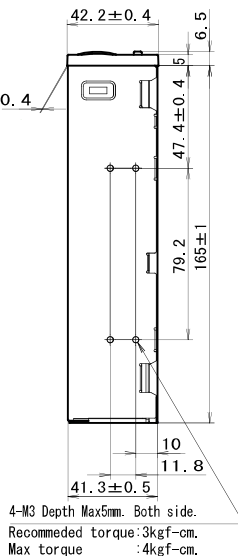
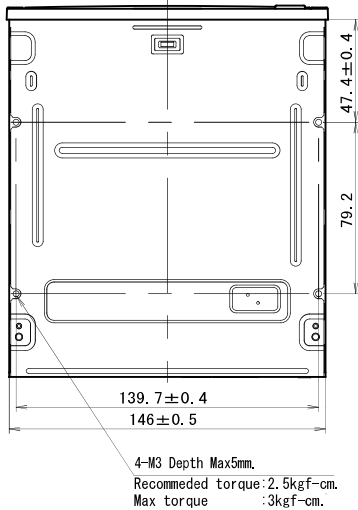
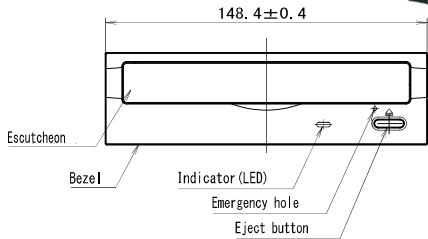


TEAC®



Tolerance: ±0.3mm
(Units:mm)

Other company names, product names and logos in this document are the trademarks or registered trademarks of their respective owners. Features and specifications are subject to change without notice. Precaution: To ensure safe handling and operation, read the Instruction Manual before use.



株式会社アルメディア オ 営業本部 営業部
〒186-0002 東京都国立市東1-4-12 KS国立ビル7階 電話 042-511-0480 FAX 042-511-0491
<http://www.almedio.co.jp>

ALMEDIO INC. Sales Headquarters Storage Solution Section
Kunitachi Office KS kunitachi Building, 7F, 4-12, 1chome, Higashi, Kunitachi-shi, Tokyo, 186-0002, Japan
Phone +81-42-511-0480 Fax +81-42-511-0491
<http://www.almedio.co.jp>

このカタログの記載内容は2019年9月現在のものです。
The contents presented in this catalog were updated as September 2019

PRINTED IN JAPAN.

NEW

Product Information

DV-W5600S

Half Height CD / DVD Recorder

Writable DVD±R
DVD±R DL
CD-R

Rewritable DVD±RW
CD-RW

- Allowed Firmware Customization
- Supporting disc-at-once, session-at-once, packet write, incremental, over write, track-at-once recording mode, sequential write, multi-session, and back ground format, Random Recording
- Horizontal and vertical mounting for most system configuration

Write Speed (Max Speed)	DVD±R	16x (CAV) [24x (CAV) *1]
	DVD±R DL	8x (ZCLV)
	DVD±RW	4x (CLV)
	CD-R	40x (PCAV) [48x (CAV) *1]
	CD-RW	US 24x (ZCLV)
		HS 10x (CLV)
		MS 4x (CLV)
Read Speed (Max Speed)	DVD-ROM (SL) / ±R (SL)	16x (CAV)
	DVD-ROM (DL) / ±R (DL)	12x (CAV)
	DVD±RW	13x (CAV)
	CD-ROM / R	40x (PCAV)
	CD-DA (DAE)	40x (PCAV)
	CD-RW	40x (PCAV)
	CD-ROM (Mode2 / Mode2 Form2)	20x (CAV)
Disc Diameter	12cm, 8cm	
Interface	SerialATA Revision3.1	
Access Time	160ms (typ) DVD-ROM 140ms (typ) CD-ROM	
Data Buffer	1MB	
Loading Mechanism	Tray Loading Type	
Environmental Conditions		
Ambient Temperature	Operating	5 to 45°C
	Non Operating	-20 to 60°C
Ambient Humidity	Operating	5 to 80% (non-condensing) *2
	Non Operating	5 to 90% (non-condensing) *2
Power Requirements	DC5V±5%, 12V±5%	
Current Consumption	Standby 200mA (5V) / 10mA (12V) (Average current max) Start Up 1800mA (5V) / 2000mA (12V) (Max. Spikes less 1ms)	
MTBF	60,000POH (10% duty)	
Safety / EMI Standards	UL, CUL, TUV, CB, CE, BSMI, C-Tick and MIC	
Dimensions	146W x 41.3H x 170D (mm)	
Mass (Weight)	650g typ (Bezelless)	
RoHS	Complied	

Remarks

Please check the specification sheets for detailed conditions and other information.

*1 Achieving more than 16x (DVD) / 40x (CD) writing speed is dependent upon media and the computer environment.

*2 The maximum wet-bulb temp. is 29 degree C

DVD is a trademark of DVD Format/Logo Licensing Corporation registered in the U.S., Japan and other countries.