

# FUNCTION TEST DVD-VIDEO

## For Checking DVD Players, DVD Recorders and DVD Drives TDV-500

### 1. Purpose of use, Features

TDV-500 is Test Discs designed for confirmation of playback function of DVD Players, Recorders and Drives.

It is available to confirm various kinds of DVD System functions.

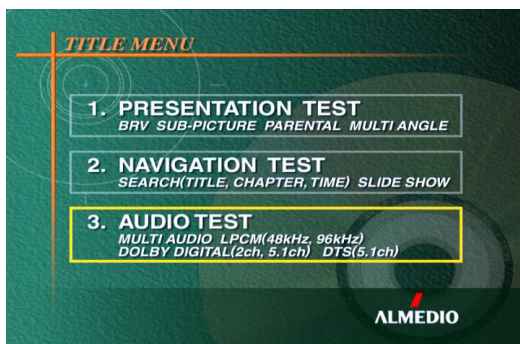
This disc is designed for confirmation of PRESENTATION, NAVIGATION and AUDIO Test.

Test items and recorded contents are shown in the table below (For details, refer to Content table on page 3 to 6).

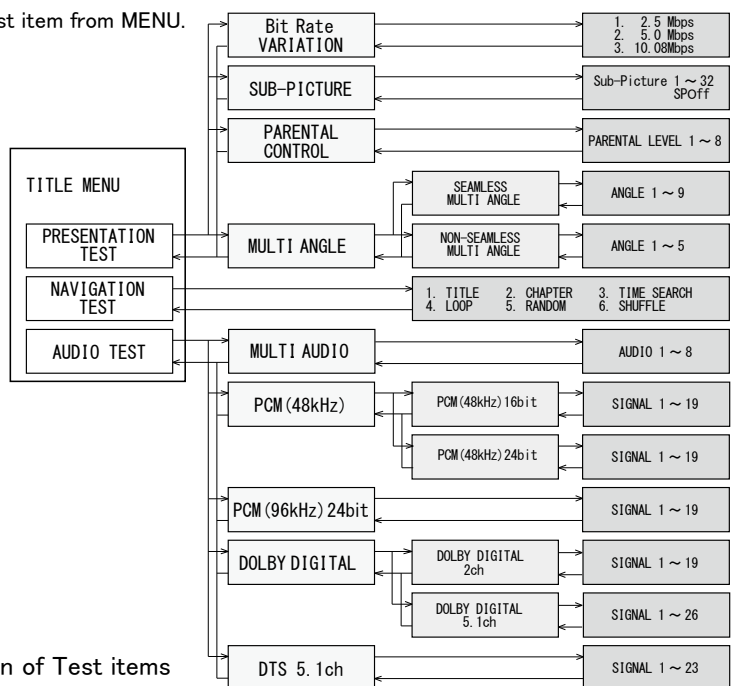
Title Menu	Test items	General description of Test Signals				
		Bit rate 2.5Mbps	Bit rate 5.0Mbps	Bit rate 10.08Mbps		
PRESENTATION TEST	Bit Rate VARIATION					
	SUB-PICTURE	32 kinds of Subtitles ( Indicates Sub-Picture 01~32)				
	PARENTAL CONTROL	Parental Control (Indicates PARENTAL LEVEL 1~8)				
	MULTI ANGLE	Seamless Multi-Angle (Indicates ANGLE 1~9) Non-seamless Multi Angle (Indicates ANGLE)				
NAVIGATION TEST	TITLE SEARCH, CHAPTER SEARCH, TIME SEARCH	Title search, Chapter search and Time search				
	SLIDE SHOW (LOOP, RANDOM, SHUFFLE Playback)	For details of SLIDE SHOW, refer to ※1) of TDV-500 Content table on page 3				
AUDIO TEST	MULTI STREAM AUDIO	Still picture, Dolby Digital 2ch Music (8 streams)				
	LPCM 48kHz 16bit 2ch	1kHz/ 0dB	20Hz/ 0dB	100Hz/ 0dB	10kHz/ 0dB	20kHz/ 0dB
	LPCM 48kHz 24bit 2ch	Infinity 0	1kHz/0dB(L)	10kHz/0dB(L)	1kHz/0dB(R)	10kHz/0dB(R)
	LPCM 96kHz 24bit 2ch	997Hz/-10dB	997Hz/-20dB	997Hz/-40dB	997Hz/-60dB	997Hz/-80dB
	Dolby Digital 2ch	Sweep 4~20kHz/-20dB	Impulse	White Noise		
	Dolby Digital 5.1ch	1kHz/ 0dB	20Hz/ 0dB	100Hz/ 0dB	10kHz/ 0dB	20kHz/ 0dB
		Infinity 0	1kHz/0dB(L)	10kHz/0dB(L)	1kHz/0dB(R)	10kHz/0dB(R)
		1kHz/0dB(LS)	10kHz/0dB(LS)	1kHz/0dB(RS)	10kHz/0dB(RS)	1kHz/0dB(CT)
		10kHz/0dB(CT)	70Hz/0dB, LFE	997Hz/ 0dB	997Hz/-10dB	997Hz/-20dB
		997Hz/-40dB	997Hz/-60dB	997Hz/-80dB	Sweep 4~20kHz/-20dB	
		Impulse	White Noise			
	dts 5.1ch	1kHz/ 0dB	20Hz/ 0dB	100Hz/ 0dB	10kHz/ 0dB	20kHz/ 0dB
		Infinity 0	1kHz/0dB(L)	10kHz/0dB(L)	1kHz/0dB(R)	10kHz/0dB(R)
		1kHz/0dB(LS)	10kHz/0dB(LS)	1kHz/0dB(RS)	10kHz/0dB(RS)	1kHz/0dB(CT)
		10kHz/0dB(CT)	70Hz/0dB, LFE	997Hz/ 0dB	997Hz/-10dB	997Hz/-20dB
		997Hz/-40dB	997Hz/-60dB	997Hz/-80dB		
Impulse		White Noise				

• Disc starts to play by selecting the objective Test item from MENU.

Title Menu and Test items are shown below.



Title Menu



Composition of Test items

## 2. Specifications

- Disc type : DVD-VIDEO Disc Single Sided Single Layer  
NTSC
- Capacity : 4.4 Gbytes
- Recorded Time : 2hr 29min 20sec
- Video Codec : MPEG-2
- Bit Rate : 2.5 to 10.08 Mbps
- Region : 1, 2, 3, 4, 5, 6, 8
- Menu : Exist
- Subtitle : Exist (Title 4)
- Multi Angle : Exist (Title 13, 14)
- Parental Control : Exist, Level 8 to 1 (Title 5 to 12)
- Physical Characteristics : Complies with DVD Specifications for Read-Only Disc Part1Physical Specifications  
Version 1.0
- File System : UDF 1.02
- Application : Complies with DVD Specifications for Read-Only Disc/ Part3 Video Specifications  
Version 1.0
- Content Protection  
CSS : Exist

## 3. Content

## • PRESENTATION TEST (Title 1 ~ 14)

Title No.	Chapter No.	Time min	Time sec	Video Contents	Rate Mbps	Parental Control	Audio Contents	Level dB	Channel	Rate kbps
Bit Rate VARIATION							Dolby Digital 2ch			
1	1	1	30	Motion Picture	2.12	-	Music 1	-	L, R	384
2	1	1	30	Motion Picture	4.62	-	Music 1	-	L, R	384
3	1	1	30	Motion Picture	9.70	-	Music 1	-	L, R	384
SUB-PICTURE (1~32)							Dolby Digital 2ch			
4	1	2	00	Motion Picture	7.0	-	Music 2	-	L, R	384
PARENTAL CONTROL							Dolby Digital 2ch			
5	1	1	30	Motion Picture	7.0	level 8	Music 3	-	L, R	384
6	1	1	20	Motion Picture	7.0	level 7	Music 3	-	L, R	384
7	1	1	10	Motion Picture	7.0	level 6	Music 3	-	L, R	384
8	1	1	00	Motion Picture	7.0	level 5	Music 3	-	L, R	384
9	1	0	50	Motion Picture	7.0	level 4	Music 3	-	L, R	384
10	1	0	40	Motion Picture	7.0	level 3	Music 3	-	L, R	384
11	1	0	30	Motion Picture	7.0	level 2	Music 3	-	L, R	384
12	1	0	20	Motion Picture	7.0	level 1	Music 3	-	L, R	384
SEAMLESS MULTI ANGLE (1~9)							Dolby Digital 2ch			
13	1	1	30	Motion Picture	7.0	-	Music 4	-	L, R	384
NON-SEAMLESS MULTI ANGLE (1~5)							Dolby Digital 2ch			
14	1	1	00	Motion Picture	7.0	-	Music 5	-	L, R	384

## • NAVIGATION TEST (Title 15 ~ 17)

Title No.	Chapter No.	Time min	Time sec	Video Contents	Rate Mbps	Parental Control	Audio Contents	Level dB	Channel	Rate kbps
CHAPTER SEARCH							Dolby Digital 2ch			
15	1	1	00	Motion Picture	7.0	-	Music 6	-	L, R	384
	2	1	00	Motion Picture	7.0	-	Music 6	-	L, R	384
	3	1	00	Motion Picture	7.0	-	Music 6	-	L, R	384
TIME SEARCH							Dolby Digital 2ch			
16	1	3	00	Motion Picture	7.0	-	Music 6	-	L, R	384
SLIDE SHOW (LOOP, RANDOM, SHUFFLE Playback) ※1										
17	LOOP Playback	03		Picture 1	-	-	-	-	-	-
		03		Picture 2	-	-	-	-	-	-
		03		Picture 3	-	-	-	-	-	-
	RANDOM Playback	03		Picture 1	-	-	-	-	-	-
		03		Picture 2	-	-	-	-	-	-
		03		Picture 3	-	-	-	-	-	-
	SHUFFLE Playback	03		Picture 1	-	-	-	-	-	-
		03		Picture 2	-	-	-	-	-	-
		03		Picture 3	-	-	-	-	-	-

## • AUDIO TEST (Title 18)

Title No.	Chapter No.	Time min	Time sec	Video Contents	Rate Mbps	Parental Control	Audio Contents	Level dB	Channel	Rate kbps	
MULTI AUDIO							Dolby Digital 2ch				
18	1	1	30	Still Picture	-	-	Stream 1	Music 7	-	L, R	384
		1	30				Stream 2	Music 8	-	L, R	384
		1	30				Stream 3	Music 9	-	L, R	384
		1	30				Stream 4	Music 10	-	L, R	384
		1	30				Stream 5	Music 11	-	L, R	384
		1	30				Stream 6	Music 12	-	L, R	384
		1	30				Stream 7	Music 13	-	L, R	384
		1	30				Stream 8	Music 14	-	L, R	384

note) Music 1 ~ Music 14 in the table are the symbols to distinguish each music.

## ※1) SLIDE SHOW (NAVIGATION TEST)

- For LOOP Playback, it plays in order of Picture 1 to 3 in every 3 seconds, then repeats two times. Playback time is 18 seconds.
- For RANDOM Playback, it plays in random of Picture 1 to 3 in every 3 seconds. Playback time is 18 seconds.
- For SHUFFLE Playback, it plays interchanging order of Picture 1 to 3 in every 3 seconds, then repeats two times. Playback time is 18 seconds.

• AUDIO TEST (Title 19 ~ 21)

Title No.	Chapter No.	Time min	Time sec	Video Contents	Rate Mbps	Parental Control	Audio Contents	Level dB	Channel	Rate kbps
LPCM 48kHz 16bit 2ch										
19	1	1	00	Still Picture Display information of audio	-	-	1kHz	0	L, R	1536
	2	1	00				20Hz	0	L, R	1536
	3	1	00				100Hz	0	L, R	1536
	4	1	00				10kHz	0	L, R	1536
	5	1	00				20kHz	0	L, R	1536
	6	1	00				Infinity 0	-∞	L, R	1536
	7	1	00				1kHz	0	L	1536
	8	1	00				10kHz	0	L	1536
	9	1	00				1kHz	0	R	1536
	10	1	00				10kHz	0	R	1536
	11	1	00				997Hz	0	L, R	1536
	12	1	00				997Hz	-10	L, R	1536
	13	1	00				997Hz	-20	L, R	1536
	14	1	00				997Hz	-40	L, R	1536
	15	1	00				997Hz	-60	L, R	1536
	16	1	00				997Hz	-80	L, R	1536
	17	1	00				Sweep 4~20kHz	-20	L, R	1536
	18	1	00				Impulse	※2	L, R	1536
	19	1	00				White Noise	※3	L, R	1536
LPCM 48kHz 24bit 2ch										
20	1	1	00	Still Picture Display information of audio	-	-	1kHz	0	L, R	2304
	2	1	00				20Hz	0	L, R	2304
	3	1	00				100Hz	0	L, R	2304
	4	1	00				10kHz	0	L, R	2304
	5	1	00				20kHz	0	L, R	2304
	6	1	00				Infinity 0	-∞	L, R	2304
	7	1	00				1kHz	0	L	2304
	8	1	00				10kHz	0	L	2304
	9	1	00				1kHz	0	R	2304
	10	1	00				10kHz	0	R	2304
	11	1	00				997Hz	0	L, R	2304
	12	1	00				997Hz	-10	L, R	2304
	13	1	00				997Hz	-20	L, R	2304
	14	1	00				997Hz	-40	L, R	2304
	15	1	00				997Hz	-60	L, R	2304
	16	1	00				997Hz	-80	L, R	2304
	17	1	00				Sweep 4~20kHz	-20	L, R	2304
	18	1	00				Impulse	※2	L, R	2304
	19	1	00				White Noise	※3	L, R	2304
LPCM 96kHz 24bit 2ch										
21	1	1	00	Still Picture Display information of audio	-	-	1kHz	0	L, R	4608
	2	1	00				20Hz	0	L, R	4608
	3	1	00				100Hz	0	L, R	4608
	4	1	00				10kHz	0	L, R	4608
	5	1	00				20kHz	0	L, R	4608
	6	1	00				Infinity 0	-∞	L, R	4608
	7	1	00				1kHz	0	L	4608
	8	1	00				10kHz	0	L	4608
	9	1	00				997Hz	0	R	4608
	10	1	00				1kHz	0	R	4608
	11	1	00				10kHz	0	L, R	4608
	12	1	00				997Hz	-10	L, R	4608
	13	1	00				997Hz	-20	L, R	4608
	14	1	00				997Hz	-40	L, R	4608
	15	1	00				997Hz	-60	L, R	4608
	16	1	00				997Hz	-80	L, R	4608
	17	1	00				Sweep 4~20kHz	-20	L, R	4608
	18	1	00				Impulse	※2	L, R	4608
	19	1	00				White Noise	※3	L, R	4608

※2 Impulse signal level before encoding is Digital zero (data 0) for 127 samples, except one sample its level is -10dB.

It is repeating signal of 128 cycles.

※3 White noise level before encoding is 0dBFS peak.

Values in this sheet are measured by the equipments ALMEDIO-owned. Appearance and specifications are subject to change without notice.

• AUDIO TEST (Title 22 ~ 23)

Title No.	Chapter No.	Time min	Time sec	Video Contents	Rate Mbps	Parental Control	Audio Contents	Level dB	Channel	Rate kbps
Dolby Digital 2ch										
22	1	1	00	Still Picture Display information of audio	-	-	1kHz	0	L, R	384
	2	1	00				20Hz	0	L, R	384
	3	1	00				100Hz	0	L, R	384
	4	1	00				10kHz	0	L, R	384
	5	1	00				20kHz	0	L, R	384
	6	1	00				Infinity 0	-∞	L, R	384
	7	1	00				1kHz	0	L	384
	8	1	00				10kHz	0	L	384
	9	1	00				997Hz	0	R	384
	10	1	00				1kHz	0	R	384
	11	1	00				10kHz	0	L, R	384
	12	1	00				997Hz	-10	L, R	384
	13	1	00				997Hz	-20	L, R	384
	14	1	00				997Hz	-40	L, R	384
	15	1	00				997Hz	-60	L, R	384
	16	1	00				997Hz	-80	L, R	384
	17	1	00				Sweep 4~20kHz	-20	L, R	384
	18	1	00				Impulse	※2	L, R	384
	19	1	00				White noise	※3	L, R	384
Dolby Digital 5.1ch										
23	1	1	00	Still Picture Display information of audio	-	-	1kHz	0	L, R, LS, RS, CT	384
	2	1	00				20Hz	0	L, R, LS, RS, CT, LFE	384
	3	1	00				100Hz	0	L, R, LS, RS, CT, LFE	384
	4	1	00				10kHz	0	L, R, LS, RS, CT	384
	5	1	00				20kHz	0	L, R, LS, RS, CT	384
	6	1	00				Infinity 0	-∞	L, R, LS, RS, CT, LFE	384
	7	1	00				1kHz	0	L	384
	8	1	00				10kHz	0	L	384
	9	1	00				1kHz	0	R	384
	10	1	00				10kHz	0	R	384
	11	1	00				1kHz	0	LS	384
	12	1	00				10kHz	0	LS	384
	13	1	00				1kHz	0	RS	384
	14	1	00				10kHz	0	RS	384
	15	1	00				1kHz	0	CT	384
	16	1	00				10kHz	0	CT	384
	17	1	00				70Hz	0	LFE	384
	18	1	00				997Hz	0	L, R, LS, RS, CT	384
	19	1	00				997Hz	-10	L, R, LS, RS, CT	384
	20	1	00				997Hz	-20	L, R, LS, RS, CT	384
	21	1	00				997Hz	-40	L, R, LS, RS, CT	384
	22	1	00				997Hz	-60	L, R, LS, RS, CT	384
	23	1	00				997Hz	-80	L, R, LS, RS, CT	384
	24	1	00				Sweep 4~20kHz	-20	L, R, LS, RS, CT	384
	25	1	00				Impulse	※2	L, R, LS, RS, CT	384
	26	1	00				White noise	※3	L, R, LS, RS, CT, LFE	384

※2 Impulse signal level before encoding is Digital zero (data 0) for 127 samples, except one sample its level is -10dB.

It is repeating signal of 128 cycles.

※3 White noise level before encoding is 0dBFS peak.

• AUDIO TEST (Title 24)

Title No.	Chapter No.	Time min	Time sec	Video Contents	Rate Mbps	Parental Control	Audio Contents	Level dB	Channel	Rate kbps
dts 5.1ch										
24	1	1	00	Motion Picture Display information of audio	4.5	-	1kHz	0	L, R, LS, RS, CT	1536
	2	1	00		4.5		20Hz	0	L, R, LS, RS, CT, LFE	1536
	3	1	00		4.5		100Hz	0	L, R, LS, RS, CT, LFE	1536
	4	1	00		4.5		10kHz	0	L, R, LS, RS, CT	1536
	5	1	00		4.5		20kHz	0	L, R, LS, RS, CT	1536
	6	1	00		4.5		Infinity 0	-∞	L, R, LS, RS, CT, LFE	1536
	7	1	00		4.5		1kHz	0	L	1536
	8	1	00		4.5		10kHz	0	L	1536
	9	1	00		4.5		1kHz	0	R	1536
	10	1	00		4.5		10kHz	0	R	1536
	11	1	00		4.5		1kHz	0	LS	1536
	12	1	00		4.5		10kHz	0	LS	1536
	13	1	00		4.5		1kHz	0	RS	1536
	14	1	00		4.5		10kHz	0	RS	1536
	15	1	00		4.5		1kHz	0	CT	1536
	16	1	00		4.5		10kHz	0	CT	1536
	17	1	00		4.5		70Hz	0	LFE	1536
	18	1	00		4.5		997Hz	0	L, R, LS, RS, CT	1536
	19	1	00		4.5		997Hz	-10	L, R, LS, RS, CT	1536
	20	1	00		4.5		997Hz	-20	L, R, LS, RS, CT	1536
	21	1	00		4.5		997Hz	-40	L, R, LS, RS, CT	1536
	22	1	00		4.5		997Hz	-60	L, R, LS, RS, CT	1536
	23	1	00		4.5		997Hz	-80	L, R, LS, RS, CT	1536

Values in this sheet are measured by the equipments ALMEDIO-owned. Appearance and specifications are subject to change without notice.

<Proper handling of the disc>

Do not write on the surface with a pen and others, nor put a sticker on it.

Do not expose the disc to direct sunlight, nor leave it in the place of high temperature and high humidity.

After playing, store the disc in its own case.

ALMEDIO INC.

Sales Headquarters

<http://www.almedio.co.jp>

E-Mail : [tm-sales@almedio.co.jp](mailto:tm-sales@almedio.co.jp)